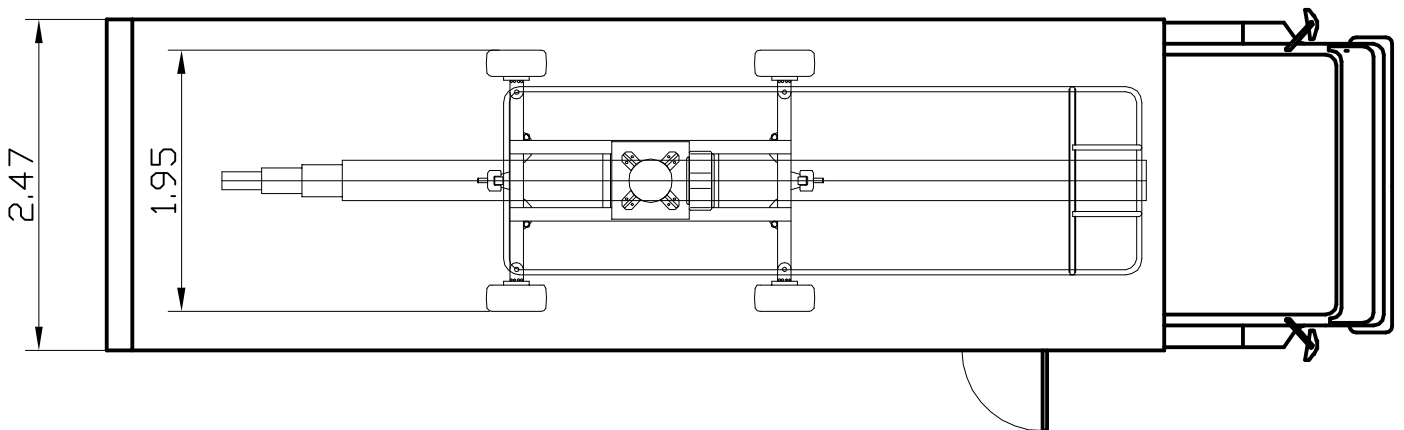
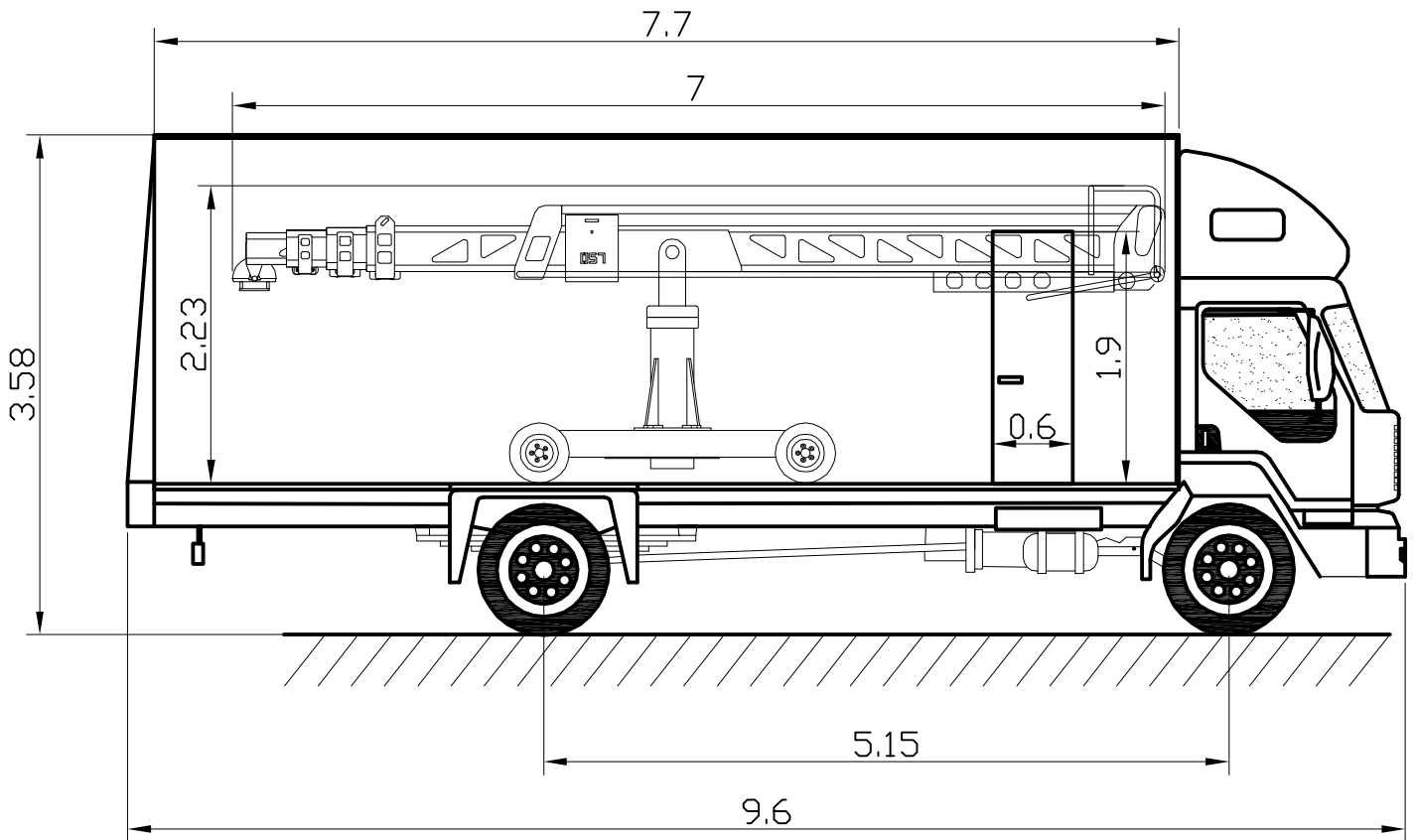


SUPERTECHNO 50

TRUCK: RENAULT MIDLUM 220.12 4x2 ON ROAD

(All dimensions are in meters)

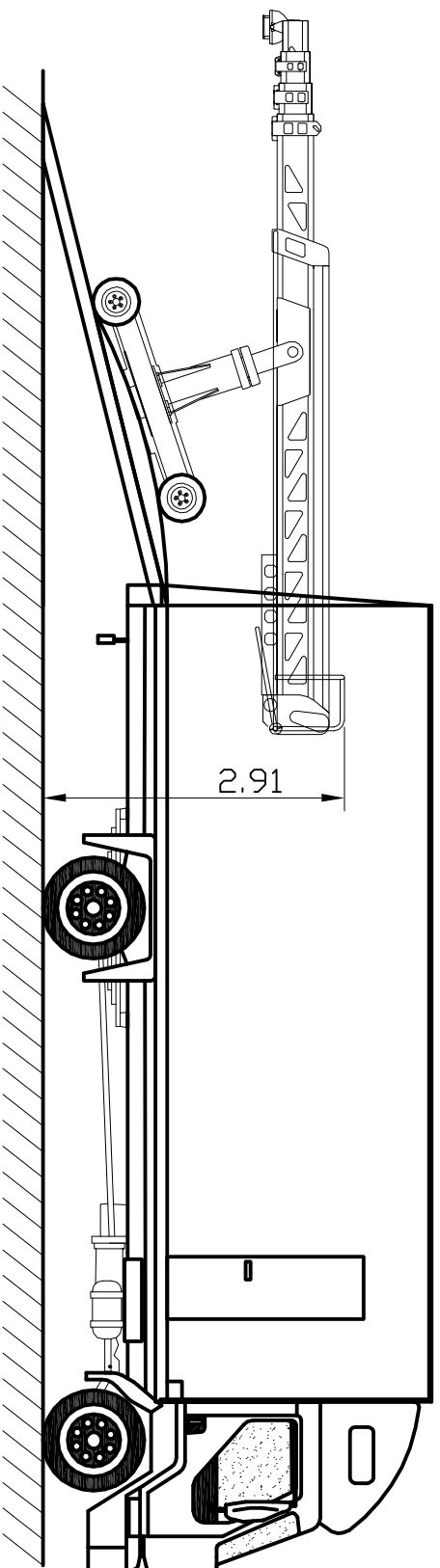
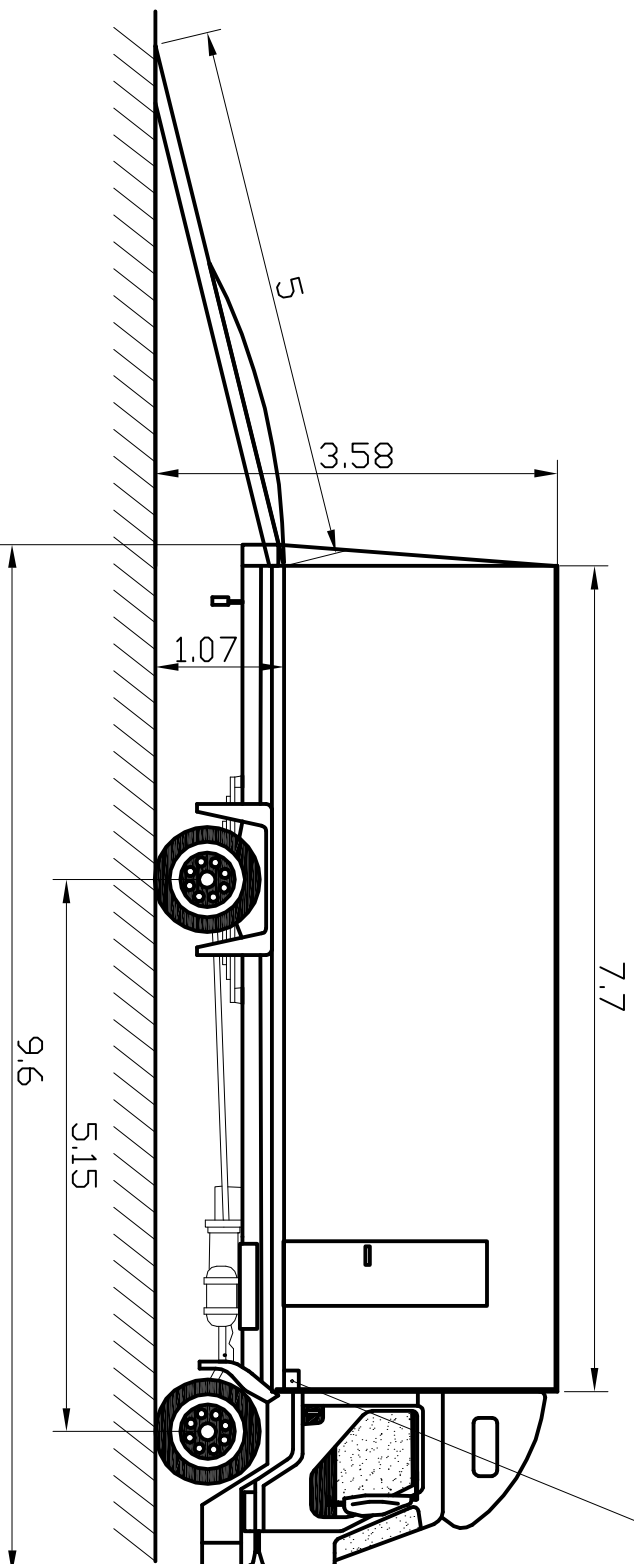


SUPERTECHNO 50

TRUCK: RENAULT MIDLUM 220.12 4X2

(All dimensions are in meters)

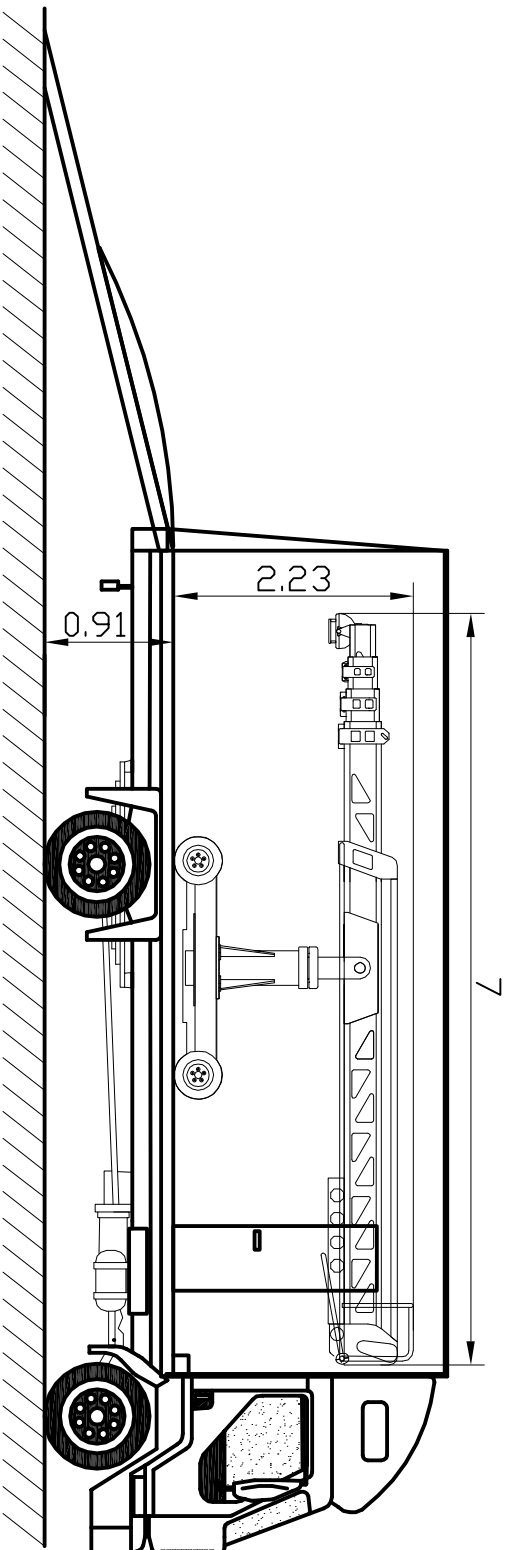
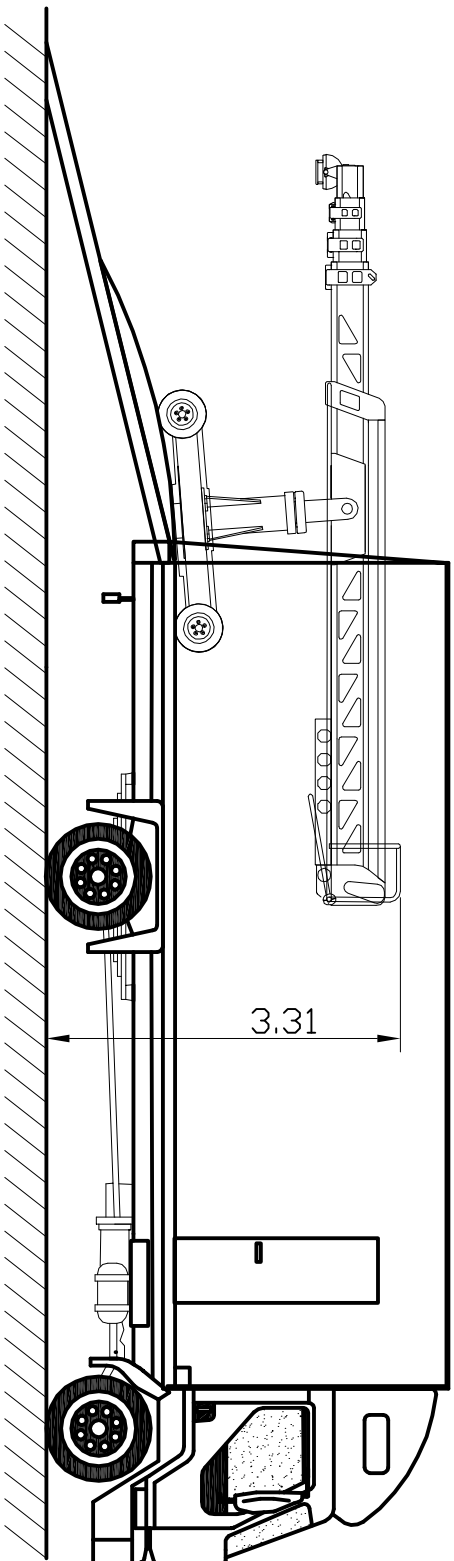
**THE ELECTRIC
WINCH**



SUPERTECHNO 50

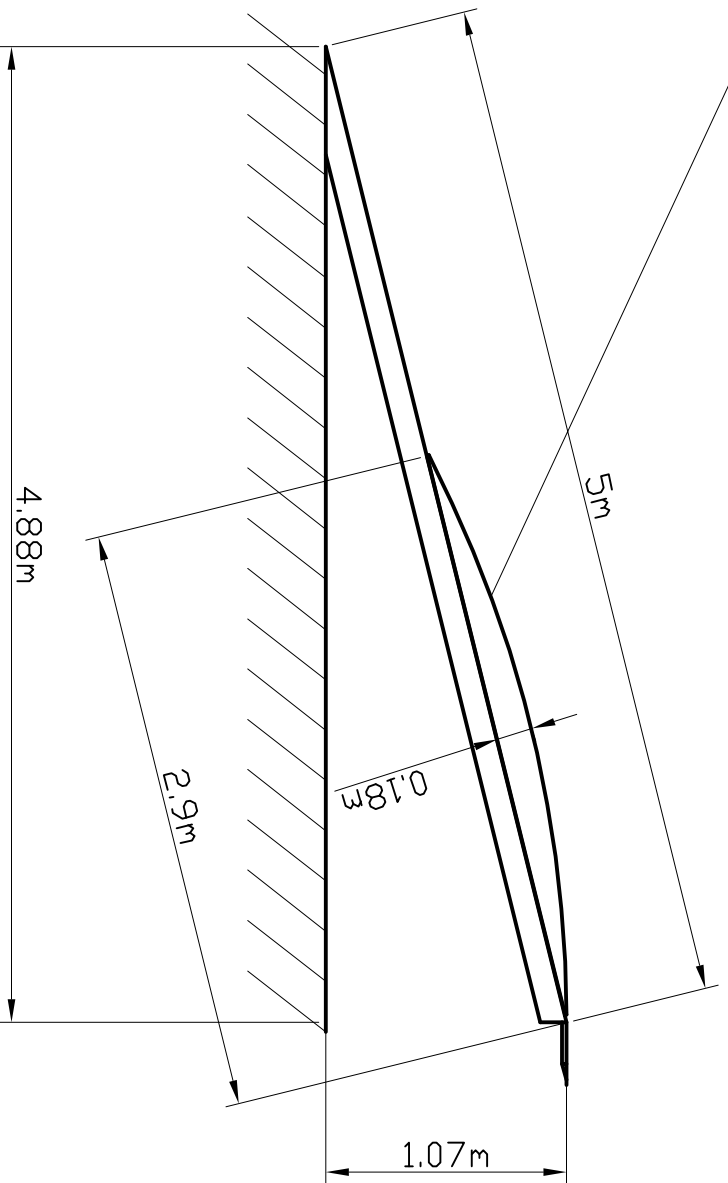
TRUCK: RENAULT MIDLUM 220.12 4X2

(All dimensions are in meters)

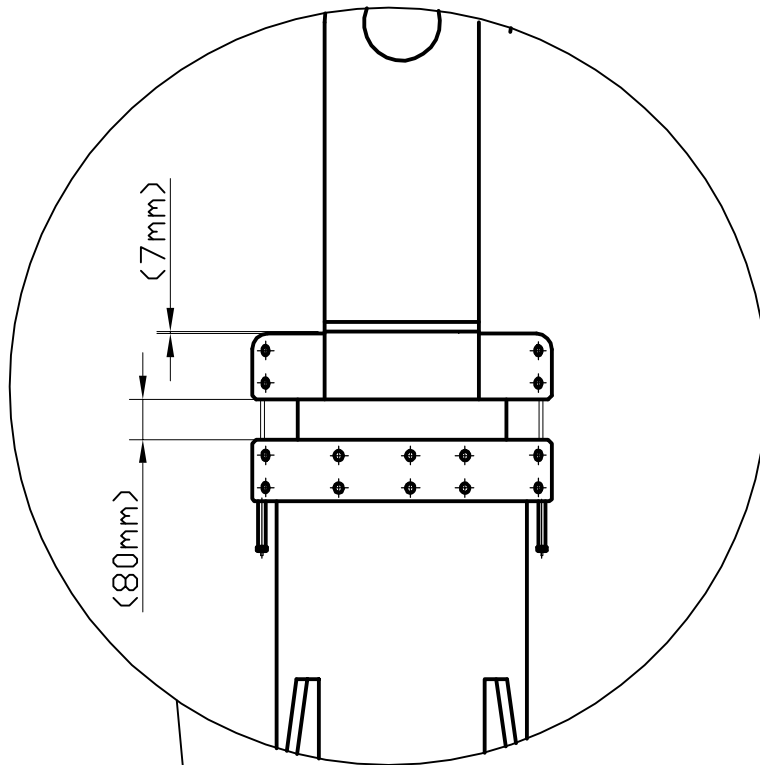


THE RAMP WITHOUT LOAD

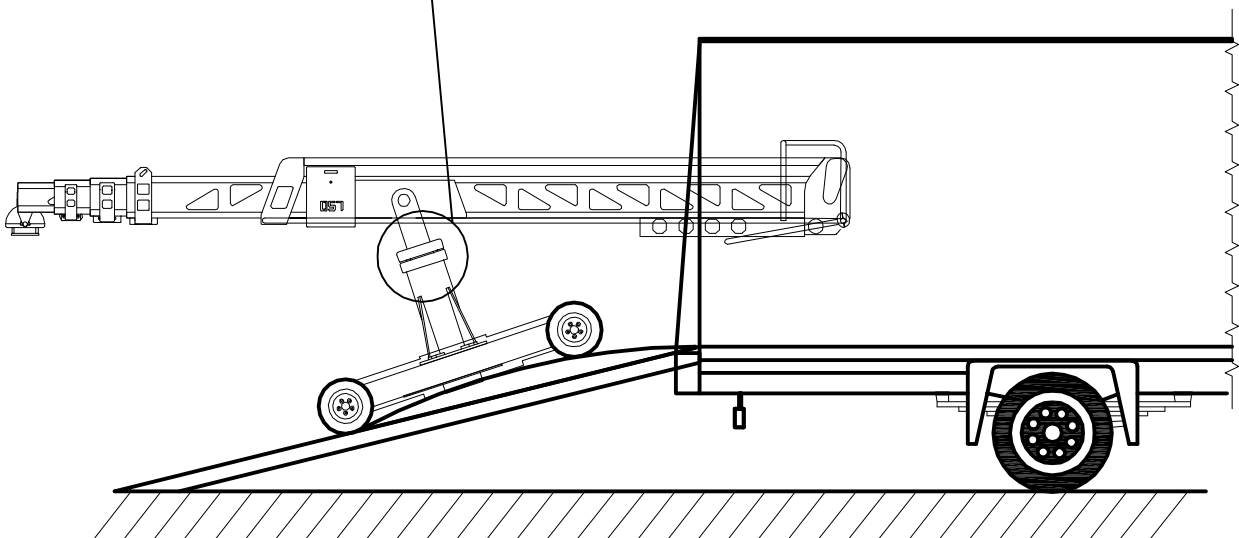
THE RAMP NEEDS A BUCKLE IN ORDER TO HAVE GROUND CLEARANCE.



THE OPERATION HEIGHT



ONLY LOAD AND TRANSPORT CRANE WITH COLUMN AT OPERATION HEIGHT.



SUPERTECHNO 50

TRUCK: RENAULT MIDLUMI 220.12 4X2

(All dimensions are in meters)

